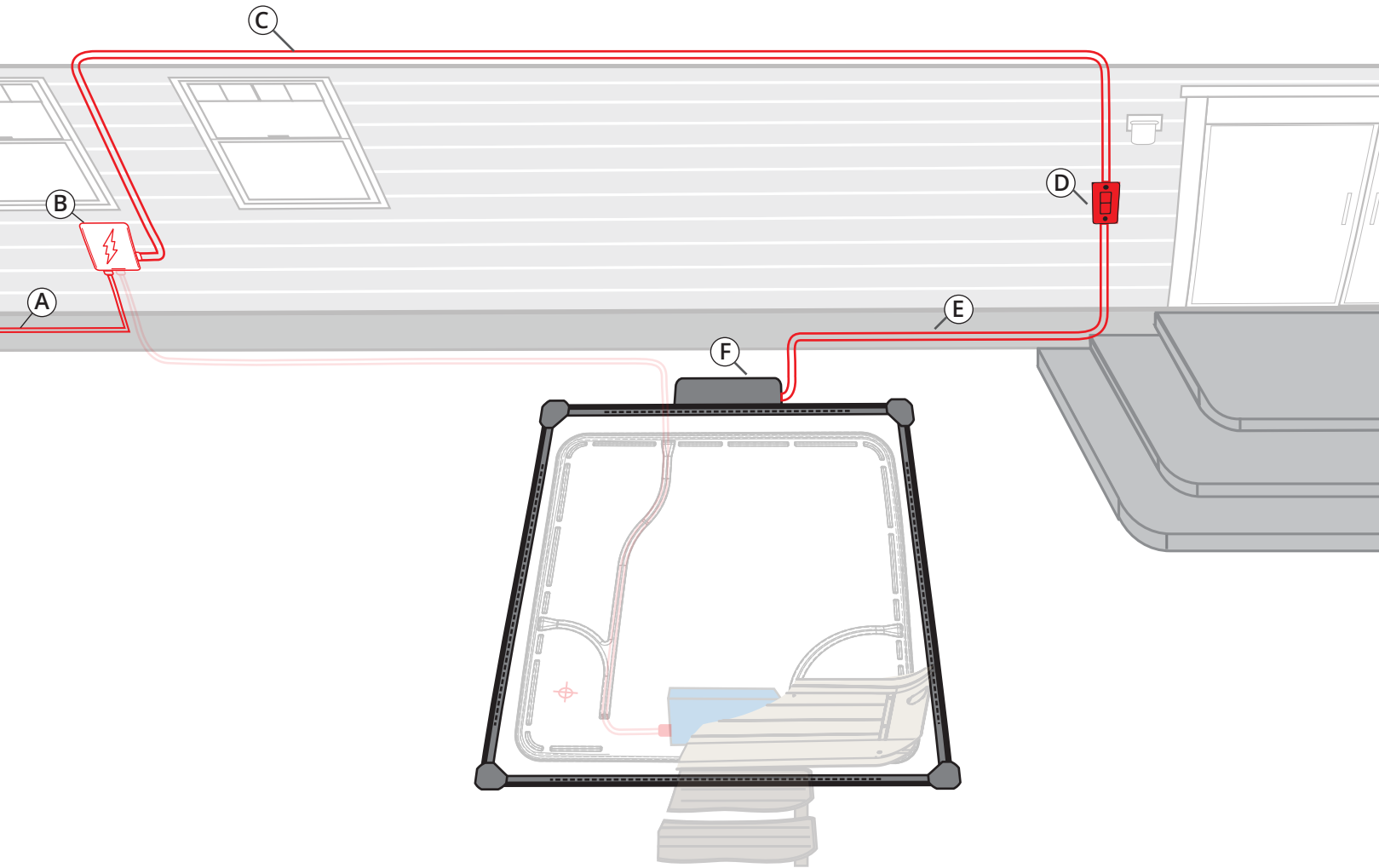
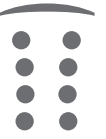


COVANA  
***PREFERRED INSTALLATION***

# PREFERRED INSTALLATION COVANA



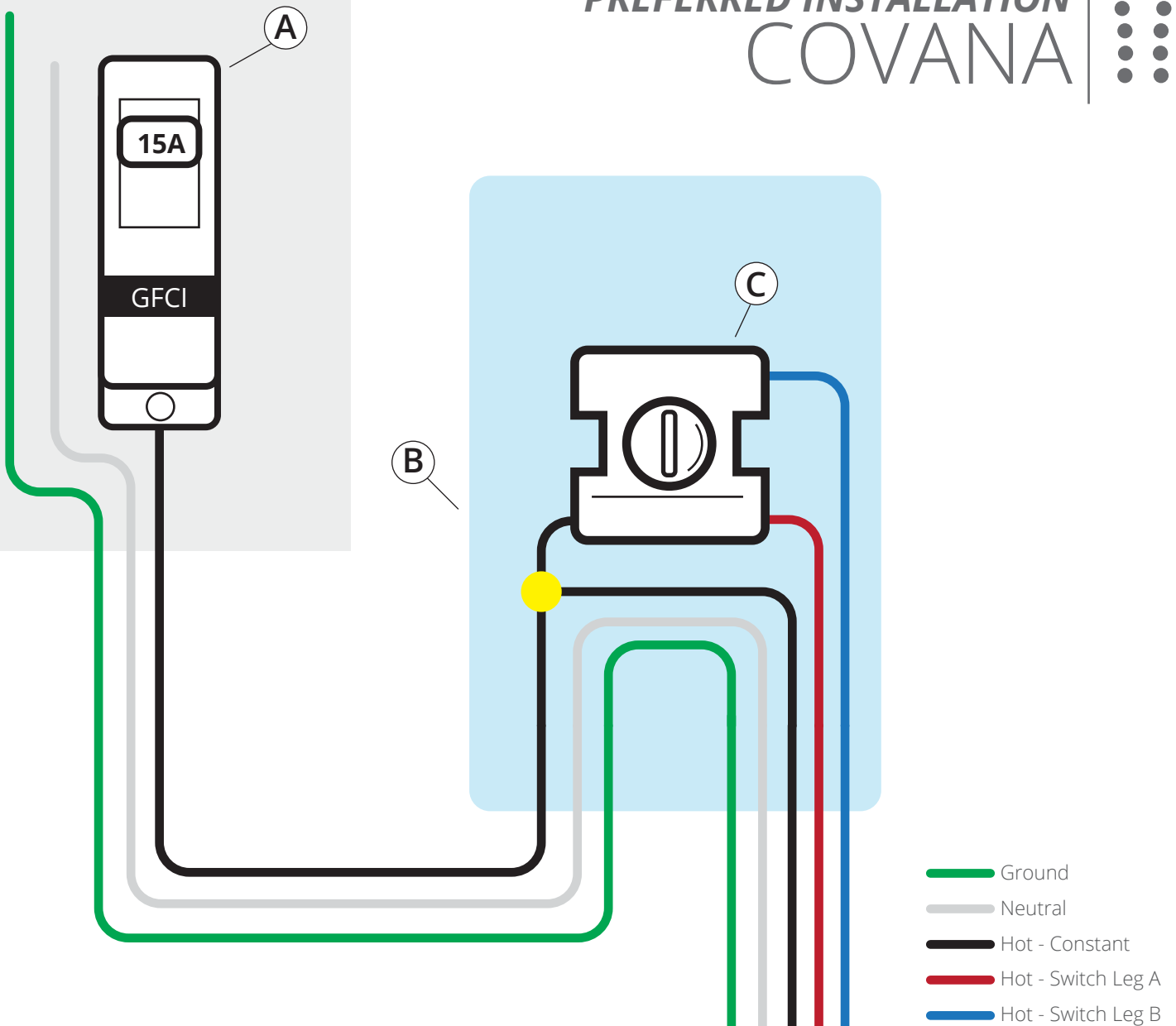
The Covana requires a 15A power supply separate from the spa's power supply line.

## COVANA TECHNICAL REQUIREMENTS

SERVICE	110v
AMPERAGE	15A
BREAKER TYPE	GFCI
WIRE TYPE	14ga

- (A) Supply Line
- (B) Spa Disconnect / Breaker Box
- (C) Wires from 15a breaker to switch
- (D) Single Gang box for switch
- (E) Wires from switch to covana
- (F) Covana Control Box

# PREFERRED INSTALLATION COVANA



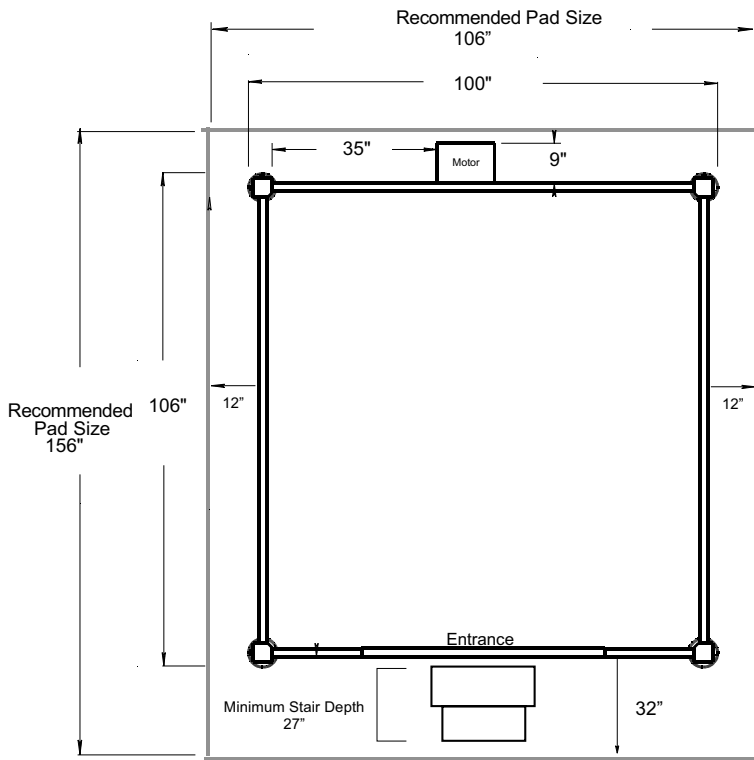
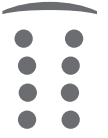
The Covana gazebo requires an independent power supply. Bullfrog Spas of Northern Utah does not provide electrical services. A certified electrician will need to install the supply line indicated by this diagram.

- (A) 15A GFCI Breaker
- (B) Single gang box for switch
- (C) Double-throw switch. (Provided by Bullfrog).
- (D) Covana control box (Provided by Bullfrog).

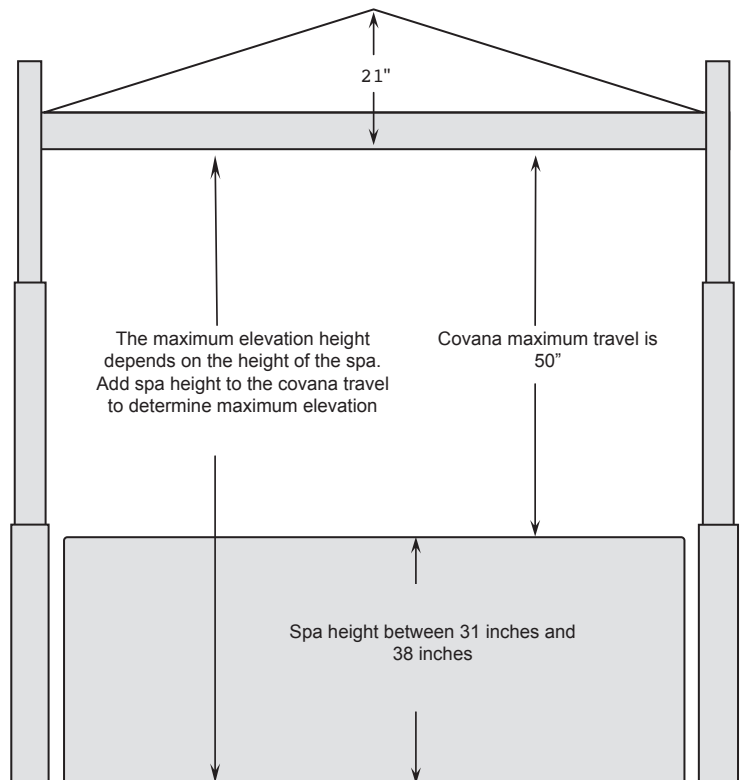
# COVANA

# COVANA DIMENSIONS

Recommended pad size and dimensions for the Covana Oasis



## Covana Oasis Top View



## Covana Oasis Side View