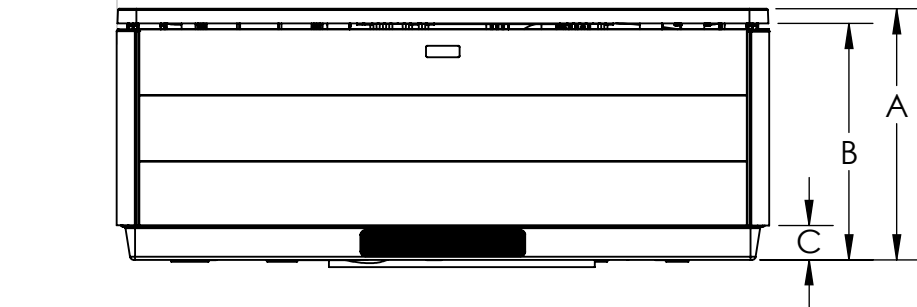
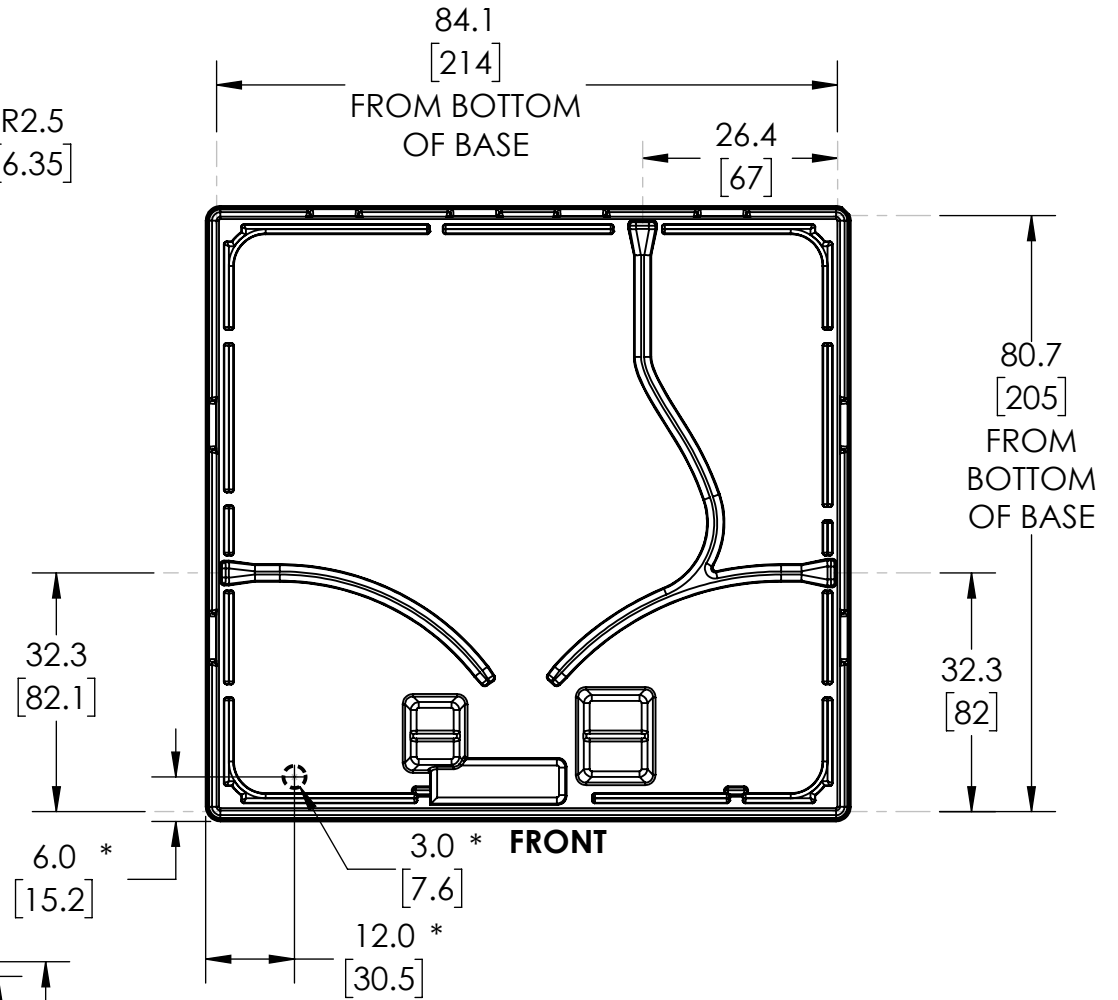


**FRONT**



Height:  
 A - Overall  
 34" [86.4cm]  
 B - Ground to Bottom of Lip  
 32" [81.3cm]  
 C - Ground to Bottom of Cabinet  
 4.69" [12cm]



**NOTES:**

DOOR ENTRY IS CENTERED ON THE FRONT OF THE SPA WITH THE FOLLOWING SPAN: 83.5" [212cm]

\*INTERNAL ELECTRICAL STUB-UP

# STIL 7