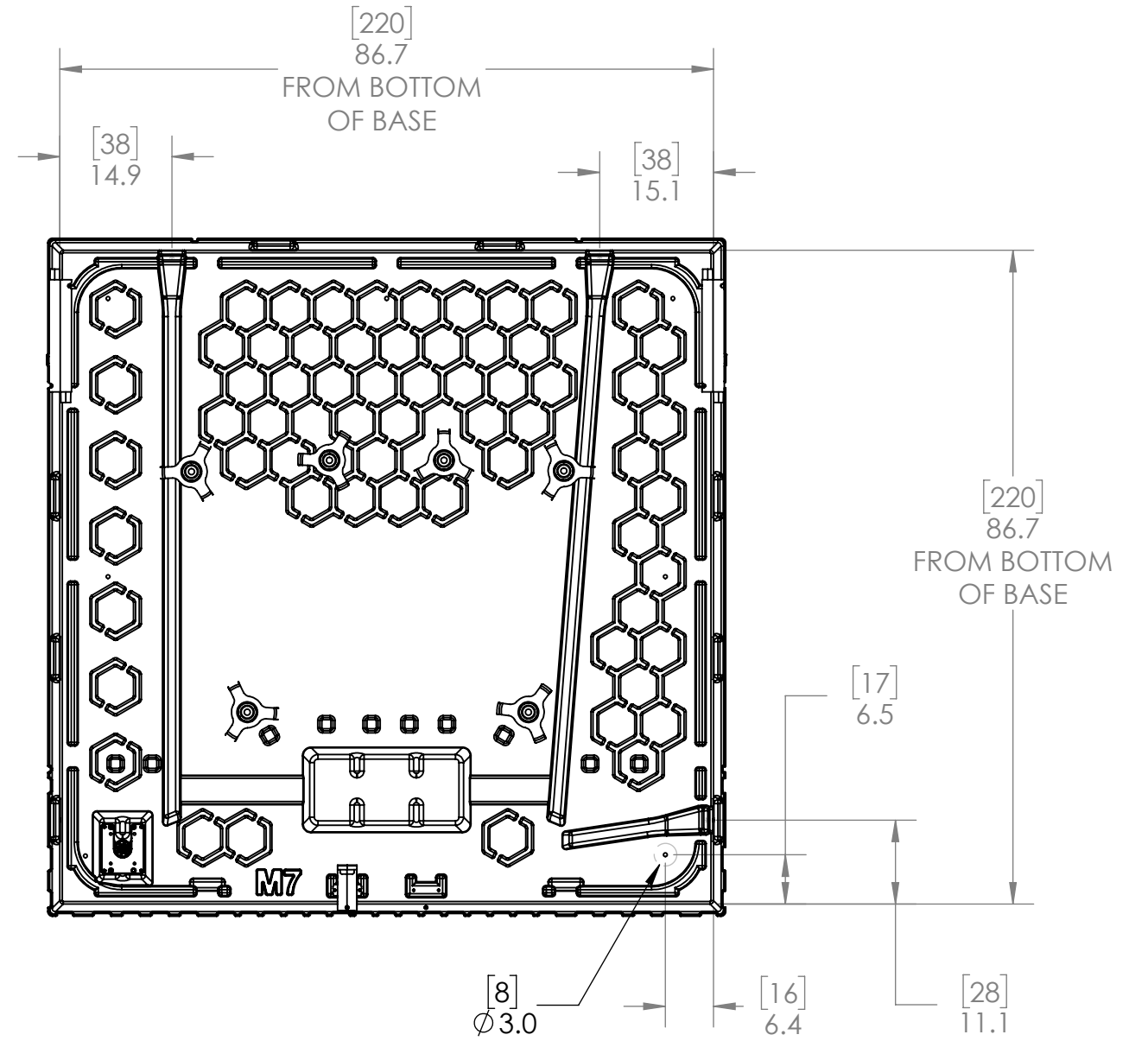
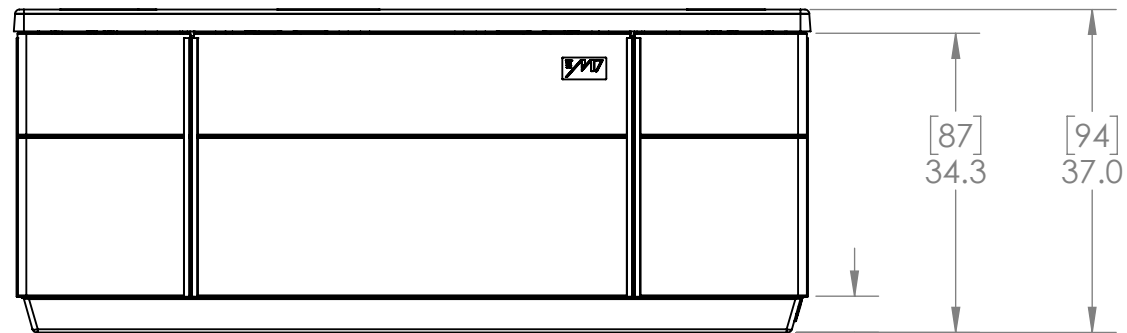
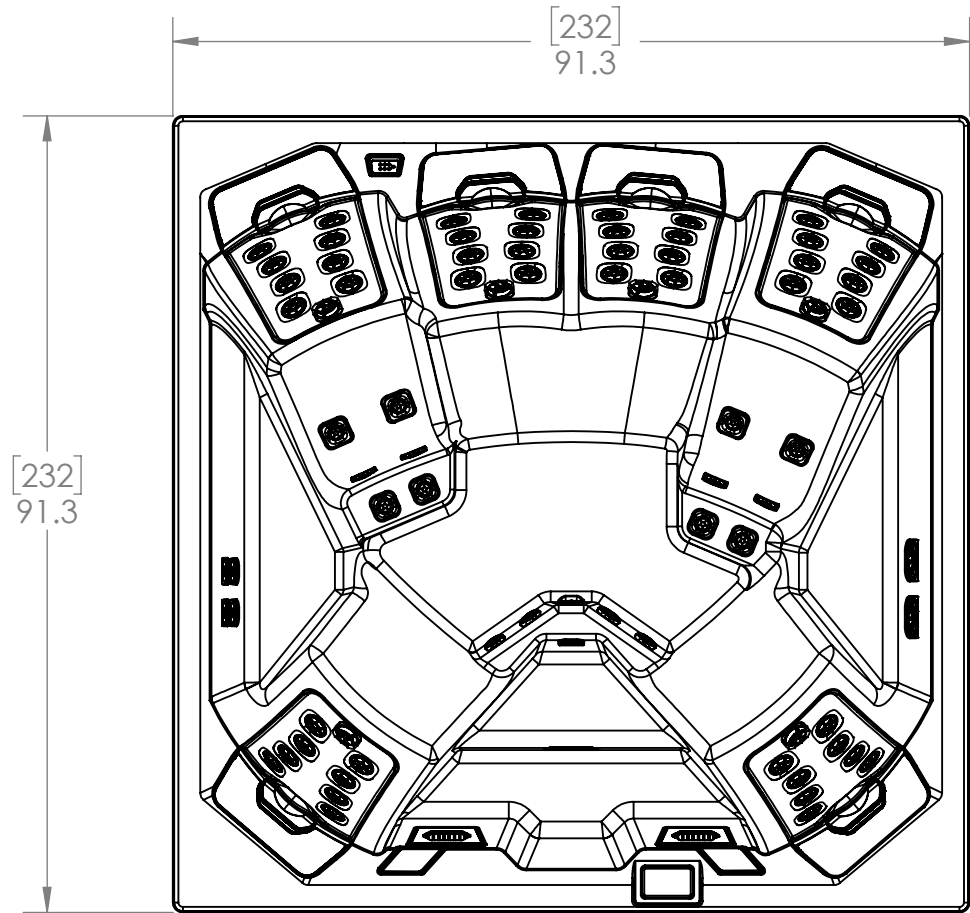


THE INFORMATION CONTAINED IN THIS DRAWING IS THE SOLE PROPERTY OF BULLFROG INTERNATIONAL. ANY REPRODUCTION IN PART OR WHOLE WITHOUT THE WRITTEN PERMISSION OF BULLFROG IS NOT ALLOWED.



CAD GENERATED DRAWING, DO NOT MANUALLY UPDATE DO NOT SCALE DRAWING	NAME	DATE	
	MODELED BY Adam Lundgren		
UNLESS OTHERWISE SPECIFIED DIMENSIONS ARE IN INCHES	APPROVED BY		TITLE: M7 FINAL ASSY. DRAWING W/ MEASUREMENT IN INCHES
	<input type="checkbox"/> CONTROLLED PART CES, ETL, UL, OR OTHER REGULATORY AGENCY		
TOLERANCES ARE: FRACTIONS DECIMALS ANGLES ± 1/16 .x ± .1 ± 1° .xx ± .02 .xxx ± .005 .xxxx ± .0020			SIZE PART NUMBER: REV B
MATERIAL:	VENDOR:		
SURFACE TREATMENT:	MANUFACTURER:		SCALE: 1:22 SHEET 1 OF 1
MATERIAL CONDITION:	VENDOR PART NUMBER:		